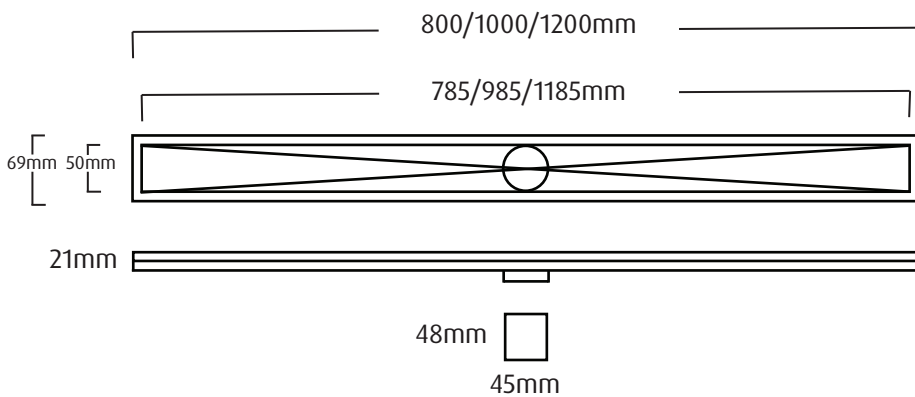


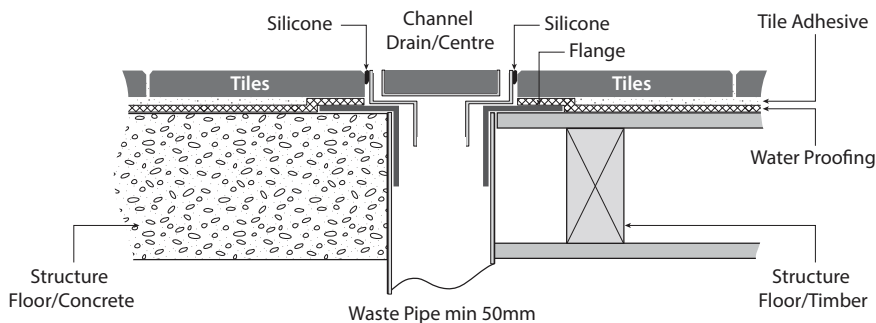


## Drawing



FDT 1800 on Page 6

## Installation Diagram



## Drainage

# Channel Drain TILE INSERT

## Product Code

FDT 800

FDT 1000

FDT 1200

## Dimensions (mm)

800(l) x 69(w) x 21(d)

1000(l) x 69(w) x 21(d)

1200(l) x 69(w) x 21(d)

## Features

Superior fall/centre outlet

316 grade stainless steel

Manufactured from high quality  
maintenance-free materials

Ø45mm

5 year warranty

Minimum required waste  
flange Ø50mm