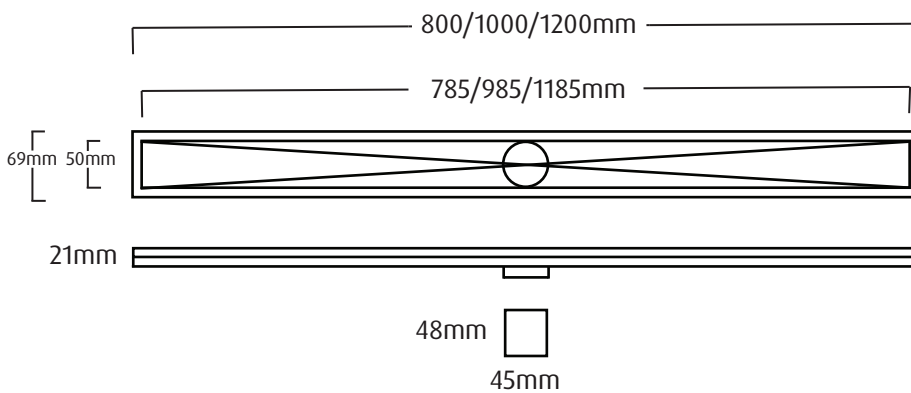
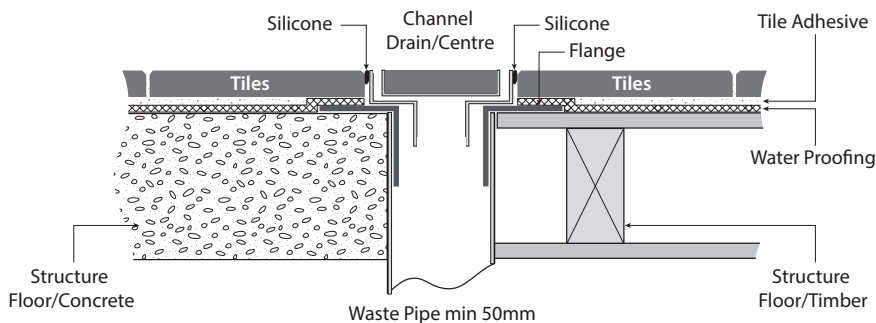




Drawing



Installation Diagram



Drainage

Channel Drain

SOLID-BRUSHED STAINLESS

Product Code

FDTB 800 SS

FDTB 1000 SS

FDTB 1200 SS

Dimensions (mm)

800(l) x 69(w) x 21(d)

1000(l) x 69(w) x 21(d)

1200(l) x 69(w) x 21(d)

Features

Superior fall/centre outlet

316 grade stainless steel

Manufactured from high quality maintenance-free materials

Ø45mm

5 year warranty

Minimum required waste flange Ø50mm

Tranquillity New Zealand Ltd

NEW ZEALAND T 0800 805 558 E info@tbw.co.nz W tbw.co.nz

AUSTRALIA T 1300 621 151 E info@formebathroomcollection.com.au W formebathroomcollection.com.au