

Product Code

FDM 800

FDM 1000

FDM 1200

FDM 1800

Dimensions (mm)

800(l) x 69(w) x 21(d)

1000(l) x 69(w) x 21(d)

1200(l) x 69(w) x 21(d)

1800(l) x 69(w) x 21(d)

Features

Superior fall/centre outlet

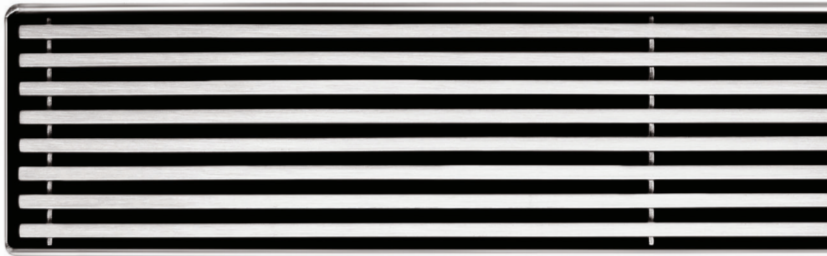
316 grade stainless steel

Manufactured from high quality
maintenance-free materials

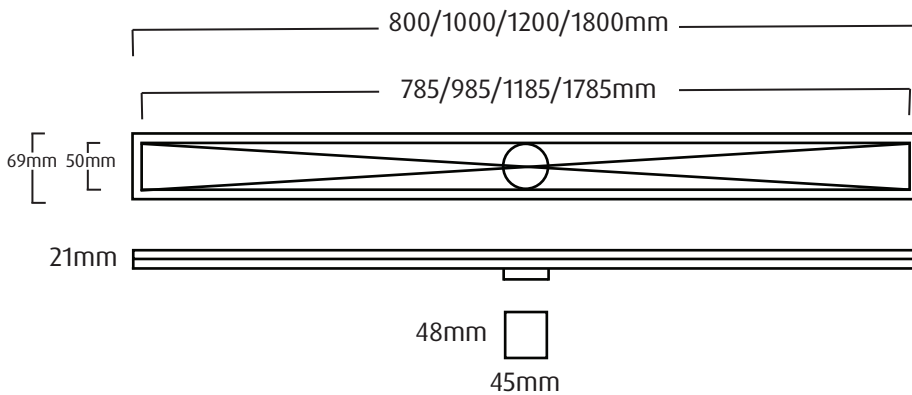
Ø45mm

5 year warranty

Minimum required waste
flange Ø50mm



Drawing



Installation Diagram

